

# ROADCRAFT

CRANE HIRE LTD 0151 922 4567

## 15t. ALL TERRAIN LIFT & CARRY FRANNA



### RATED CAPACITY

15 tonne @ 1.6m radius  
1.350kg @ 12.m radius  
Max search hook height 14m  
Search hook capacity 7 tonne  
9.75 tonne hook block

### DIMENSIONS

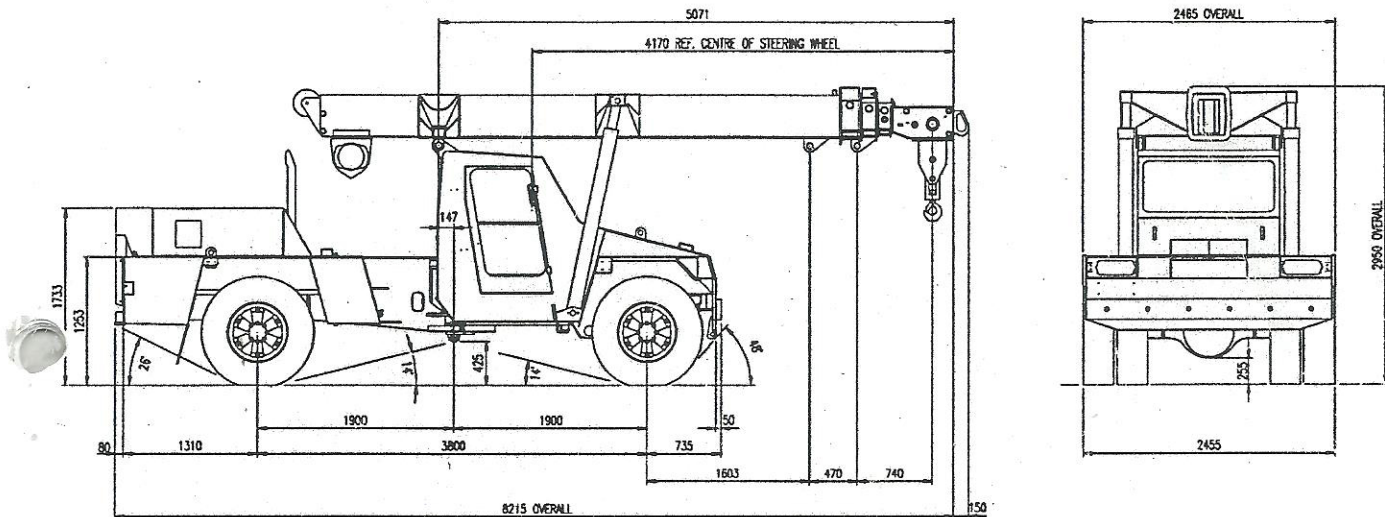
Overall Length  
8.215 metres  
Overall Width  
2.465 metres  
Overall Height  
2.950 metres

### TURNING RADIUS

Outside wheels  
6.2 metres

**FULL RADIUS CHART  
ON REVERSE**

# MACHINE DIMENSIONS

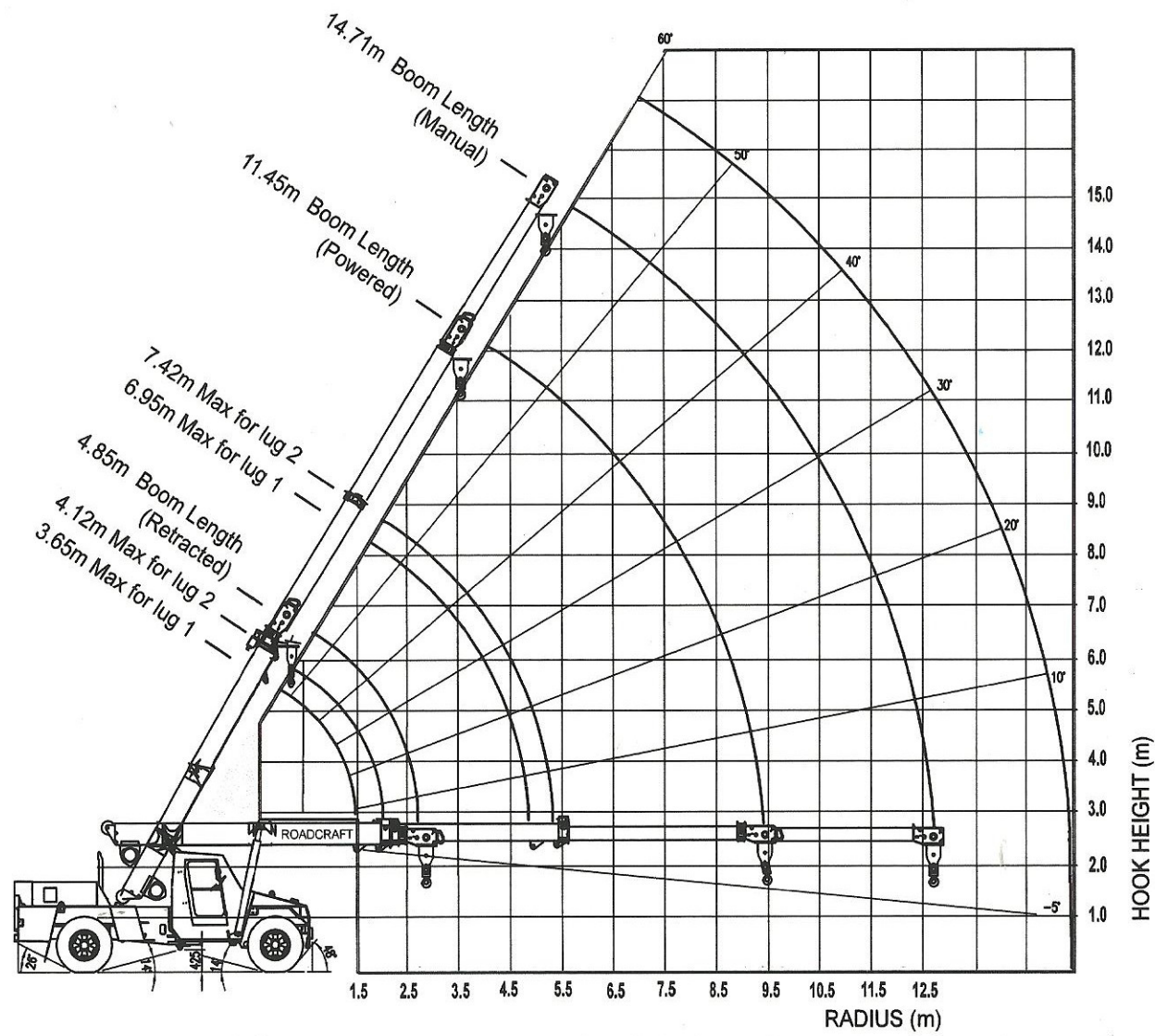


## Crane Dimensions

Length (carrier)	5 925
Width	2 465
Height (with Boom)	2 950
Length Overall	8 215
Wheelbase	3 800
Front Axle Weight	6 000 kg
Rear Axle Weight	10 000 kg

### Crane Dimensions

Length (carrier)	5 925
Width	2 465
Height	2 950
Length overall	8 215
Wheelbase	3 800
Front Axle Weight	6 000kg
Rear Axle Weight	10 000kg
G.V.W.	16.000kg



**SWL (KG) LESS THAN 10 DEG ARTICULATION**  
**SWL (KG) GREATER THAN 10 DEG ARTICULATION**  
**BOOM ANGLE OR (RADIUS AT 0 DEG BOOM ANGLE)**

*Weight of slings & hook block to be added to load*  
*Read and understand warning notes before operating crane*  
*Loads above bold red line are structural*

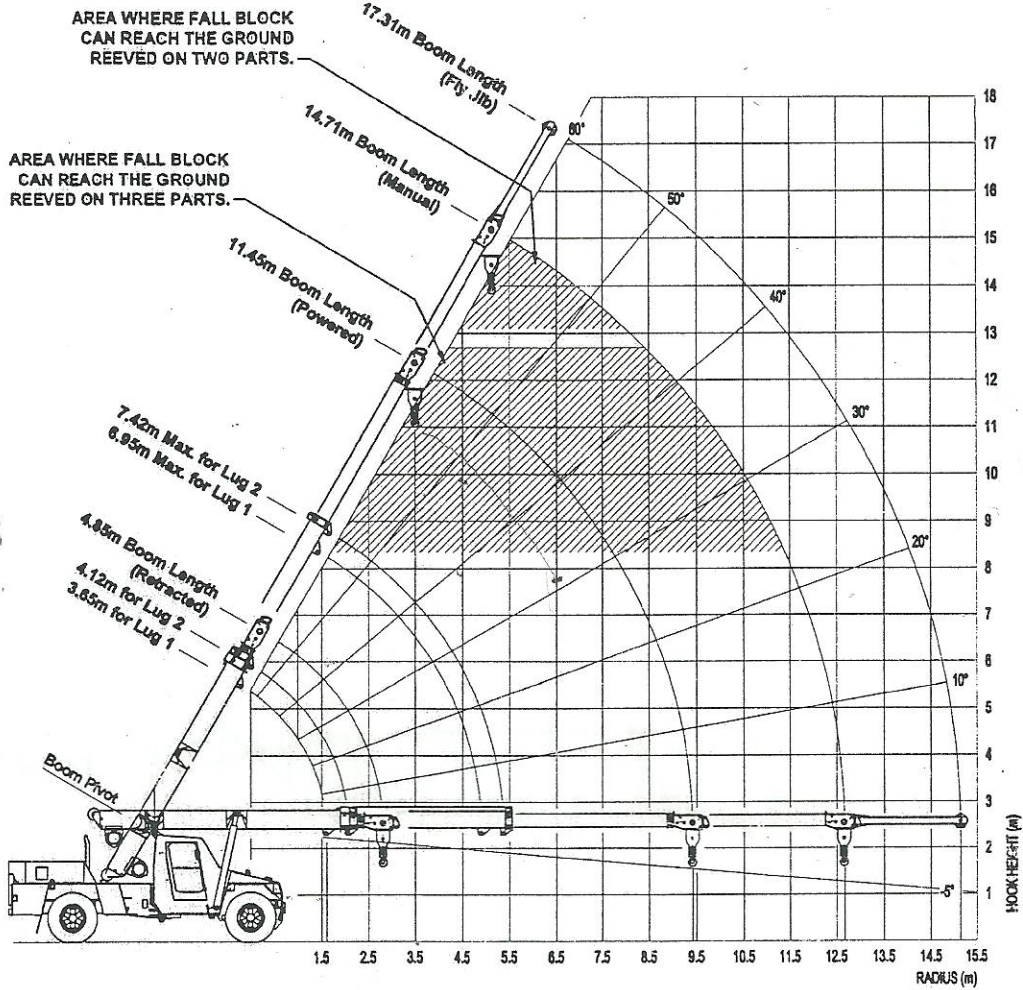
RADIUS	BOOM LENGTH (m)														
	4.85	5.00	5.50	6.00	6.50	7.00	7.50	8.00	8.50	9.00	9.50	10.00	10.50	11.00	11.45
1.6	9750	9750	9750	9750	9750	9750	9750	9750	9750						
	39	41	46	50	54	57	59								
2.0	9750	9750	9750	9750	9750	9750	9750	9750	9750						
	31	34	40	46	50	53	56	58	60						
2.5	9750	9750	9750	9750	9750	9750	9750	9600	8800	8200	7150				
	18	22	32	39	44	48	51	54	56	58	60				
3.0	9750	9500	9350	9350	9350	9350	9350	8900	8200	7500	6550	5850			
	8900	8450	8300	8300	8300	8300	8300	8300	8200	7500	6550	5850			
3.5	(2.80)	(2.95)	21	31	37	42	46	49	52	55	57	58	60		
			8000	7900	7900	7900	7900	7900	7650	6950	5950	5400	5200	5050	
4.0															
4.5															
5.0															
5.5															
6.0															
6.5															
7.0															
8.0															
9.0															
9.40															

**SWL (KG) LESS THAN 10 DEG ARTICULATION**  
**SWL (KG) GREATER THAN 10 DEG ARTICULATION**  
**BOOM ANGLE OR (RADIUS AT 0 DEG BOOM ANGLE)**

*Weight of slings & hook block to be added to load*  
*Read and understand warning notes before operating crane*  
*Loads above bold red line are structural*

RADIUS	BOOM LENGTH (m)														
	4.85	5.00	5.50	6.00	6.50	7.00	7.50	8.00	8.50	9.00	9.50	10.00	10.50	11.00	11.45
1.6	9750	9750	9750	9750	9750	9750	9750	9750	9750						
	39	41	46	50	54	57	59								
2.0	9750	9750	9750	9750	9750	9750	9750	9750	9750						
	31	34	40	46	50	53	56	58	60						
2.5	9750	9750	9750	9750	9750	9750	9750	9600	8800	8200	7150				
	18	22	32	39	44	48	51	54	56	58	60				
3.0	9750	9500	9350	9350	9350	9350	9350	8900	8200	7500	6550	5850			
	8900	8450	8300	8300	8300	8300	8300	8300	8200	7500	6550	5850			
3.5	(2.80)	(2.95)	21	31	37	42	46	49	52	55	57	60			
			8000	7900	7900	7900	7900	7900	7650	6950	5950	5400	5200	5050	
4.0															
				7100	7000	7000	7000	7000	7000	7000	6950	6550	5400	5200	5050
4.5															
				6900	6800	6800	6800	6800	6800	6800	6350	5250	4850	4650	4500
5.0															
				6100	6050	6050	6050	6050	6000	6000	5500	5250	4900	4700	4500
5.5															
6.0															
6.5															
7.0															
8.0															
9.0															
9.40															

# RANGE DIAGRAM AT-15 SHOWING ALL LIFTING CONFIGURATIONS



## Working Area Diagram

