

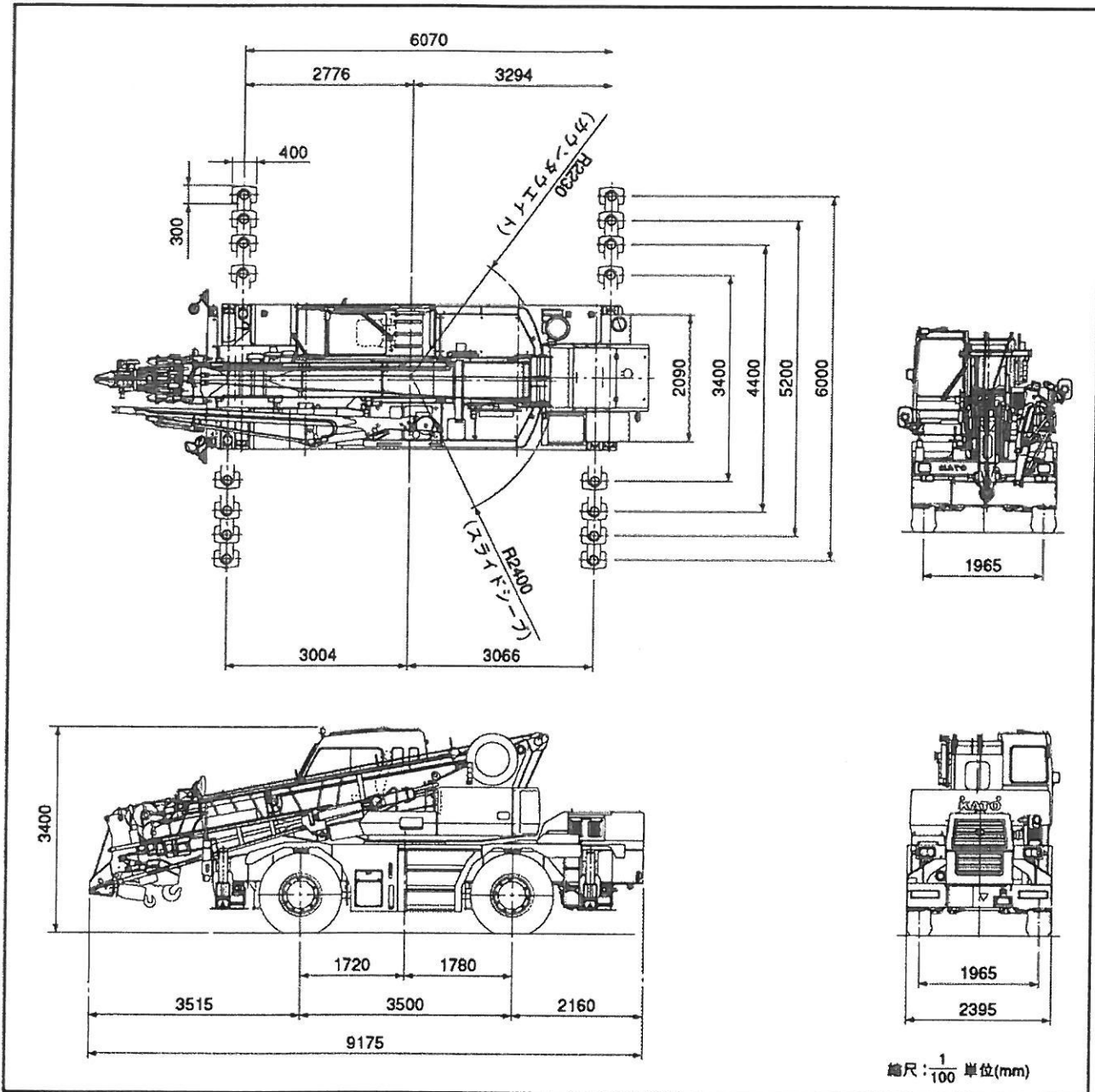
**CITYRANGE.
SUPERBOOM.**

MR-250R

KRM-25H-II型 (SLジブ)

PREMIUM
Rougher

■主寸図



※本カタログに記載されております性能ならびに仕様は、改良などによりお届けいたします製品と異なる場合がありますので、あらかじめご了承ください。

お問い合わせは…



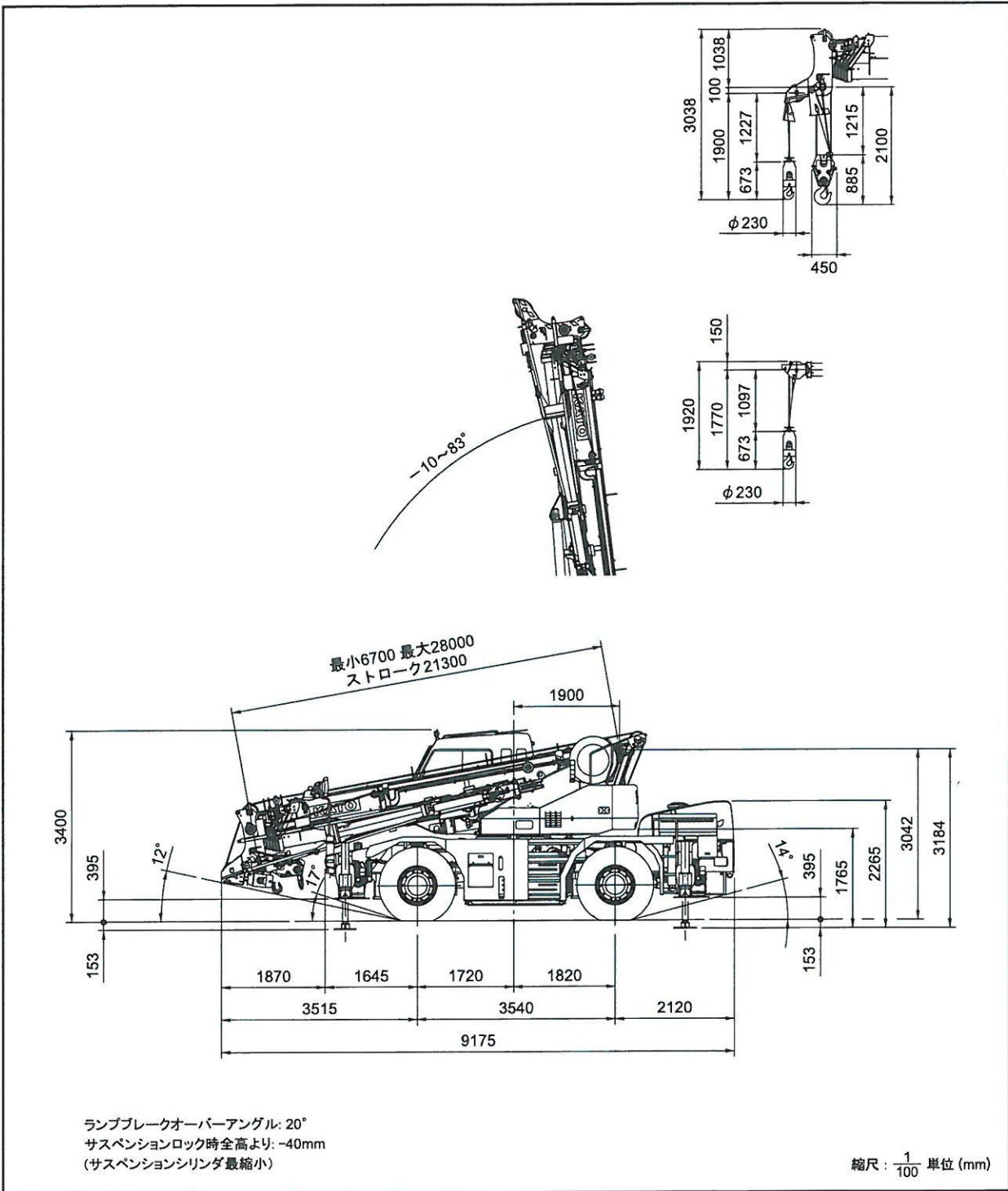
品質保証の国際規格「ISO 9001」の認証を取得しています。

KATO 株式会社 **加藤製作所**

本社 / 東京都品川区東大井1丁目9番37号
 ☎ 03(3458)1111番(大代表)
 ホームページアドレス <http://www.kato-works.co.jp>
 C01851
 12.2003-3300(TT)1



■全体図



※本カタログに記載されております性能ならびに仕様は、改良などによりお届けいたします製品と異なる場合がありますので、あらかじめご了承ください。

お問い合わせは…

KATO 株式会社 加藤製作所

本社 / 電話 140-0011 東京都品川区東大井1丁目9番37号
☎ 03 (3458) 1111番 (大代表)
ホームページアドレス <http://www.kato-works.co.jp>

C02541
10.2008-5000 (TI) 1



品質保証の国際規格「ISO 9001」の認証を取得しています。

KATO

KRM-25H

RATED LIFTING CAPACITY CHART (1)

Unit (Ton)

BS 1757:1986
DIN 15019-2

Based on 75% of tipping loads

Working Radius (meters)	Outriggers Fully Extended(6.0m) - 360° Full Range						Outriggers Partly Extended (5.2m) - 360° Full Range						Outriggers Partly Extended (4.4m) - 360° Full Range					
	6.7M Boom	11.0M Boom	15.2M Boom	21.6M Boom	28.0M Boom	28.0M Boom	6.7M Boom	11.0M Boom	15.2M Boom	21.6M Boom	28.0M Boom	28.0M Boom	6.7M Boom	11.0M Boom	15.2M Boom	21.6M Boom	28.0M Boom	
2.8	(25.00)	12.00	12.00	8.00			(25.00)	12.00	12.00	8.00			(25.00)	12.00	12.00	8.00		
3.0	22.00	12.00	12.00	8.00			22.00	12.00	12.00	8.00			22.00	12.00	12.00	8.00		
3.5	20.00	12.00	12.00	8.00			20.00	12.00	12.00	8.00			20.00	12.00	12.00	8.00		
4.0	17.00	12.00	12.00	8.00			17.00	12.00	12.00	8.00			17.00	12.00	12.00	8.00		
4.5	15.00	12.00	12.00	8.00			15.00	12.00	12.00	8.00			15.00	12.00	12.00	8.00		
5.0		12.00	12.00	8.00				12.00	12.00	8.00				12.00	12.00	8.00		
5.5		12.00	12.00	8.00				12.00	12.00	8.00				10.20	10.15	8.00		
6.0		12.00	11.50	8.00				12.00	11.50	8.00				8.80	8.75	8.00		
6.5		11.30	10.60	8.00				10.25	10.05	8.00				7.50	7.45	8.00		
7.0		10.70	9.90	7.85				8.85	8.80	7.85				6.50	6.45	7.05		
8.0		8.95	8.60	7.10				6.75	6.70	7.10				5.00	4.90	5.55		
9.0		7.05	7.00	6.35				5.35	5.30	5.90				3.90	3.80	4.45		
10.0			5.65	5.70				4.25	4.25	4.90				3.00	3.00	3.60		
11.0			4.60	5.10				3.45	3.45	4.05				2.40	2.40	3.00		
12.0			3.85	4.50				2.80	2.80	3.40				1.80	1.80	2.45		
13.0				3.80				2.25	2.25	2.90				1.35	1.35	2.05		
14.0				3.30					2.45	2.75					1.65	1.65		
15.0				2.85					2.10	2.40					1.35	1.35		
16.0				2.45					1.75	2.10					1.05	1.05		
17.0				2.10					1.45	1.80					0.80	0.80		
18.0				1.80					1.15	1.55					0.60	0.60		
19.0				1.55					0.95	1.30					0.40	0.40		
20.0				1.4/19.7					0.85/19.7	1.10						0.55		
21.0				1.40					0.90	0.90						0.40		
22.0				1.20					0.75	0.75								
23.0				1.05					0.60	0.60								
24.0				0.90					0.45	0.45								
25.0				0.75														
26.0				0.65														
Critical Boom Angle	---	---	---	---	---	---	---	---	---	19°	---	---	---	---	---	---	35°	
Standard Hook (ton)	25 Ton						25 Ton						25 Ton					
Hook Block Weight	200kg						200kg						200kg					
Parts of Line	(7),6						(7),6						(7),6					

KATO

KRM-25H

RATED LIFTING CAPACITY CHART (1 continued)

Unit (Ton)

BS 1757:1986

Based on DIN 15019-2

75% of tipping loads

Working Radius (meters)	Outriggers Fully Partially(3.4m) - 360° Full Range					Outriggers Partly Extended (2.09m) - 360° Full Range				
	6.7M Boom	11.0M Boom	15.2M Boom	21.6M Boom	28.0M Boom	6.7M Boom	11.0M Boom	15.2M Boom	21.6M Boom	28.0M Boom
2.8	(25.00)	12.00	12.00	8.00		10.65	10.45	9.85	8.00	
3.0	22.00	12.00	12.00	8.00		9.70	9.55	9.10	8.00	
3.5	16.50	12.00	12.00	8.00		7.30	7.20	7.15	7.10	
4.0	12.50	12.00	12.00	8.00	6.50	5.75	5.60	5.55	5.90	4.90
4.5	9.90	9.55	9.50	8.00	6.50	4.60	4.45	4.40	4.95	4.20
5.0		7.90	7.85	8.00	6.50		3.60	3.55	4.20	3.65
5.5		6.55	6.50	7.00	6.50		2.95	2.90	3.50	3.20
6.0		5.55	5.45	6.15	6.30		2.45	2.40	2.95	2.75
6.5		4.70	4.65	5.30	5.60		2.00	1.95	2.50	2.40
7.0		4.05	4.00	4.60	4.95		1.65	1.60	2.15	2.10
8.0		3.05	3.00	3.55	3.90		0.95	0.90	1.55	1.60
9.0		2.30	2.25	2.80	3.15					
10.0		1.65	1.65	2.25	2.55					
11.0		1.10	1.10	1.80	2.10					
12.0		0.70	0.70	1.40	1.70					
13.0				1.05	1.40					
14.0				0.70	1.10					
15.0				0.45	0.85					
16.0					0.60					
17.0										
18.0										
19.0										
20.0										
21.0										
22.0										
23.0										
24.0										
25.0										
26.0										
Critical Boom Angle	---	---	20°	38°	49°	---	15°	50°	62°	69°
Standard Hook (ton)	25 Ton					25 Ton				
Hook Block Weight	200kg					200kg				
Parts of Line	(7),6	4			6	4				

KATO

KRM-25H RATED LIFTING CAPACITY CHART (2)

Unit (Ton)

28.0 Metre Boom + 5.4 Metre Jib (Standard Hook for 4Ton. Hook Mass 60kg)

Outriggers Fully Extended 6.0 Metres - 360° full range						Outriggers Partly Extended 5.2 Metres - 360° full range						Outriggers Partly Extended 4.4 Metres - 360° full range					
Boom Angle (degrees)	Offset 5°		Offset 25°		Critical Boom Angle	Boom Angle (degrees)	Offset 5°		Offset 25°		Critical Boom Angle	Boom Angle (degrees)	Offset 5°		Offset 25°		Critical Boom Angle
	Working Radius (M)	Load (Ton)	Working Radius (M)	Load (Ton)			Working Radius (M)	Load (Ton)	Working Radius (M)	Load (Ton)			Working Radius (M)	Load (Ton)	Working Radius (M)	Load (Ton)	
81	5.20	3.00	7.00	2.50	28°	81	5.20	3.00	7.00	2.50	38°	81	5.20	3.00	7.00	2.50	48°
77.7	7.20	3.00	8.90	2.50		77.7	7.20	3.00	8.90	2.50		77.7	7.20	3.00	8.90	2.50	
75	8.90	3.00	10.40	2.30		75	8.90	3.00	10.40	2.30		75	8.90	3.00	10.40	2.30	
73	10.00	3.00	11.50	2.14		73	10.00	3.00	11.50	2.14		73	10.00	3.00	11.50	2.14	
70	11.70	2.60	13.10	1.94		70	11.70	2.60	13.10	1.94		70	11.70	2.60	13.10	1.94	
65	14.30	2.15	15.70	1.69		65	14.30	2.15	15.70	1.69		66	13.80	2.19	15.20	1.73	
60	16.80	1.83	18.10	1.49		59	17.30	1.77	18.50	1.46		64	14.70	1.91	16.10	1.65	
55	19.20	1.55	20.30	1.35		57	18.20	1.53	19.40	1.40		62	15.70	1.60	17.10	1.40	
50	21.30	1.34	22.30	1.19		55	19.10	1.31	20.20	1.21		60	16.70	1.31	18.00	1.18	
48	22.10	1.19	23.10	1.11		50	21.20	0.88	22.20	0.82		55	19.00	0.79	20.00	0.75	
45	23.30	0.96	24.20	0.91		45	23.20	0.55	24.00	0.53		50	21.10	0.42	22.00	0.41	
40	25.10	0.68	25.80	0.65		40	25.00	0.31	25.70	0.29							
35	26.70	0.46	27.30	0.44													
30	28.10	0.30	28.50	0.29													

Outriggers Partly Extended 3.4 Metres - 360° full range					
Boom Angle (degrees)	Offset 5°		Offset 25°		Critical Boom Angle
	Working Radius (M)	Load (Ton)	Working Radius (M)	Load (Ton)	
81	5.20	3.00	7.00	2.50	58°
77.7	7.20	3.00	8.90	2.50	
75	8.90	3.00	10.40	2.30	
74	9.40	3.00	10.90	2.22	
72	10.50	2.49	12.00	2.07	
70	11.50	2.04	13.00	1.75	
68	12.60	1.66	14.00	1.45	
65	14.10	1.20	15.40	1.07	
60	16.50	0.60	17.70	0.53	

KATO

KRM-25H RATED LIFTING CAPACITY CHART (2 Continued)

Unit (Ton)

28.0 Metre Boom + 8.2 Metre Jib (Standard Hook for 4Ton. Hook Mass 60kg)

Outriggers Fully Extended 6.0 Metres - 360° full range						Outriggers Partly Extended 5.2 Metres - 360° full range						Outriggers Partly Extended 4.4 Metres - 360° full range					
Boom Angle (degrees)	Offset 5°		Offset 25°		Critical Boom Angle	Boom Angle (degrees)	Offset 5°		Offset 25°		Critical Boom Angle	Boom Angle (degrees)	Offset 5°		Offset 25°		Critical Boom Angle
	Working Radius (M)	Load (Ton)	Working Radius (M)	Load (Ton)			Working Radius (M)	Load (Ton)	Working Radius (M)	Load (Ton)			Working Radius (M)	Load (Ton)	Working Radius (M)	Load (Ton)	
81	6.00	2.00	8.70	1.20		81	6.00	2.00	8.70	1.20		81	6.00	2.00	8.70	1.20	
76	9.40	2.00	11.60	1.20		76	9.40	2.00	11.60	1.20		76	9.40	2.00	11.60	1.20	
75	10.00	2.00	12.20	1.20		75	10.00	2.00	12.20	1.20		75	10.00	2.00	12.20	1.20	
72	11.90	1.81	14.00	1.20		72	11.90	1.81	14.00	1.20		72	11.90	1.81	14.00	1.20	
70	13.00	1.71	15.10	1.18		70	13.00	1.71	15.10	1.18		70	13.00	1.71	15.10	1.18	
65	15.90	1.49	17.80	1.12		65	15.90	1.49	17.80	1.12		65	15.90	1.49	17.80	1.12	
60	18.60	1.33	20.30	1.05		60	18.60	1.33	20.30	1.05		60	18.60	1.42	18.80	1.09	
55	21.20	1.20	22.70	0.98		55	21.20	1.20	22.20	0.99		55	19.90	0.84	21.70	0.74	
50	23.60	1.04	24.90	0.90		50	23.60	1.11	22.70	0.98		50	20.90	0.67	22.60	0.60	
48	24.50	0.99	25.70	0.87		48	23.40	0.74	24.90	0.68		48	23.20	0.67	25.20	0.65	
47	24.80	0.94	26.20	0.85		45	25.50	0.45	26.70	0.43		45	25.20	0.65			
45	25.60	0.83	26.90	0.78		40	27.40	0.24	28.40	0.24		40	27.40	0.34	24.70	0.31	
40	27.50	0.58	28.60	0.55													
35	29.20	0.39	30.00	0.39													
30	30.70	0.24	31.30	0.24													
Critical Boom Angle	28°		28°			Critical Boom Angle	38°		38°			Critical Boom Angle	48°		48°		

Outriggers Partly Extended 3.4 Metres - 360° full range					
Boom Angle (degrees)	Offset 5°		Offset 25°		Critical Boom Angle
	Working Radius (M)	Load (Ton)	Working Radius (M)	Load (Ton)	
81	6.00	2.00	8.70	1.20	58°
76	9.40	2.00	11.60	1.20	
75	10.00	2.00	12.20	1.20	
72	11.90	1.81	14.00	1.20	
70	13.00	1.71	15.10	1.18	
68	13.90	1.46	16.20	1.15	
65	15.60	1.03	17.70	0.86	
60	18.20	0.50	20.10	0.42	

Based on
BS 1757:1986
DIN 15019-2
75% of tipping loads

KATO

KRM-25H

**RATED LIFTING CAPACITY CHART (4)
Searcher Hook Duties**

Unit (Ton)

BS 1757:1986

Based on DIN 15019-2

75% of tipping loads

Working Radius (meters)	Outriggers Fully Extended (6.0m) - 360° Full Range						Outriggers Partly Extended (5.2m) - 360° Full Range						Outriggers Partly Extended (4.4m) - 360° Full Range												
	6.7M Boom	11.0M Boom	15.2M Boom	21.6M Boom	28.0M Boom	35.0M Boom	6.7M Boom	11.0M Boom	15.2M Boom	21.6M Boom	28.0M Boom	35.0M Boom	6.7M Boom	11.0M Boom	15.2M Boom	21.6M Boom	28.0M Boom								
4.0	7.50						7.50						7.50												
4.5	7.50						7.05						7.05												
5.0	6.85						6.40						5.60												
5.5	6.35						5.95						4.75												
6.0	6.00						5.60						4.15												
7.0		7.00						7.00						5.55											
8.0		7.00						5.90						4.30											
8.5		6.80						5.20						3.75											
9.0		6.10						4.70						3.35											
9.5		5.45	5.00					4.15	3.85					2.95	2.80										
10.0		4.90	4.50					3.75	3.45					2.65	2.55										
11.0			3.65						2.80						2.00										
12.0			3.05						2.25						1.50										
13.0			2.50						1.80						1.10										
13.5			2.30	2.40					1.60	1.90					0.90	1.50									
14.0			2.15	2.25					1.45	1.75					0.80	1.40									
14.5			1.95	2.10					1.30	1.60					0.60	1.20									
15.0				1.95						1.50						1.10									
16.0				1.65						1.25						0.85									
17.0				1.40						1.00						0.65									
18.0				1.20	1.20					0.80	0.85					0.50	0.75								
19.0				1.05	1.00					0.65	0.75					0.30	0.60								
20.0				0.95	0.85					0.60	0.60					0.15	0.40								
21.0				0.75/20.9m	0.75					0.35/20.9	0.50						0.30								
22.0					0.65						0.40						0.20								
23.0					0.55						0.30														
24.0					0.50						0.25														
25.0					0.40						0.10														
26.0					0.35																				
27.0					0.30																				
Critical Boom Angle	0-50°						0-50°						19-50°						0-50°						35-50°

KATO

KRM-25H

**RATED LIFTING CAPACITY CHART (4 continued)
Searcher Hook Duties
Unit (Ton)**

Working Radius (meters)	Outriggers Partly Extended (3.4m) - 360° Full Range				Outriggers Partly Extended (2.09m) - 360° Full Range	
	6.7M Boom	11.0M Boom	15.2M Boom	21.6M Boom	6.7M Boom	11.0M Boom
4.0	6.85				4.85	
4.5	5.40				3.90	
5.0	4.50				3.15	
5.5	3.60				2.50	
6.0	3.05				2.05	
7.0		3.10				1.20
8.0		2.30				0.70
8.5		2.00				0.45
9.0		1.75				0.15
9.5		1.50	1.35			
10.0		1.25	1.20			
11.0			0.80			
12.0			0.50			
13.0			0.10			
13.5				0.55		
14.0				0.45		
14.5				0.35		
15.0				0.30		
16.0				0.10		
17.0						
18.0						
19.0						
20.0						
21.0						
22.0						
23.0						
24.0						
25.0						
26.0						
27.0						
Critical Boom Angle	0-50°		20-50°	38-50°	0-50°	15-50°

Based on BS 1757:1986
DIN 15019-2
75% of tipping loads

KATO KRM-25H RATED LIFTING CAPACITY CHART (5) Unit (Ton)

Searcher Hook Duties

Based on BS 1757:1986
DIN 15019-2

75% of tipping loads

Working Radius (Metres)	Stationary on Rubber				Pick and Carry (Less than 2km/h without outriggers)				
	6.7m Boom Over Front	360° Full Range	11.0m Boom Over Front	360° Full Range	15.2m Boom Over Front	6.7m Boom Over Front	360° Full Range	11.0m Boom Over Front	15.2m Boom Over Front
4.0	7.50	3.30				6.80	2.65		
4.5	7.50	2.55				6.00	2.05		
5.0	6.20	2.00				5.00	1.50		
5.5	5.10	1.55				4.10	1.05		
6.0	4.25	1.20				3.40	0.65		
7.0			3.00	0.65				2.40	
8.0			2.15	0.40				1.65	
9.0			1.55					1.00	
10.0			1.00		1.00			0.50	0.50
11.0					0.63				
12.0					0.30				
Critical Boom Angle	0-50°	0-50°	0-50°	30-50°	30-50°	0-50°	0-50°	0-50°	35°