



Gen2 series

(C60D, C70D, C80D)

STANDARD SPECIFICATIONS

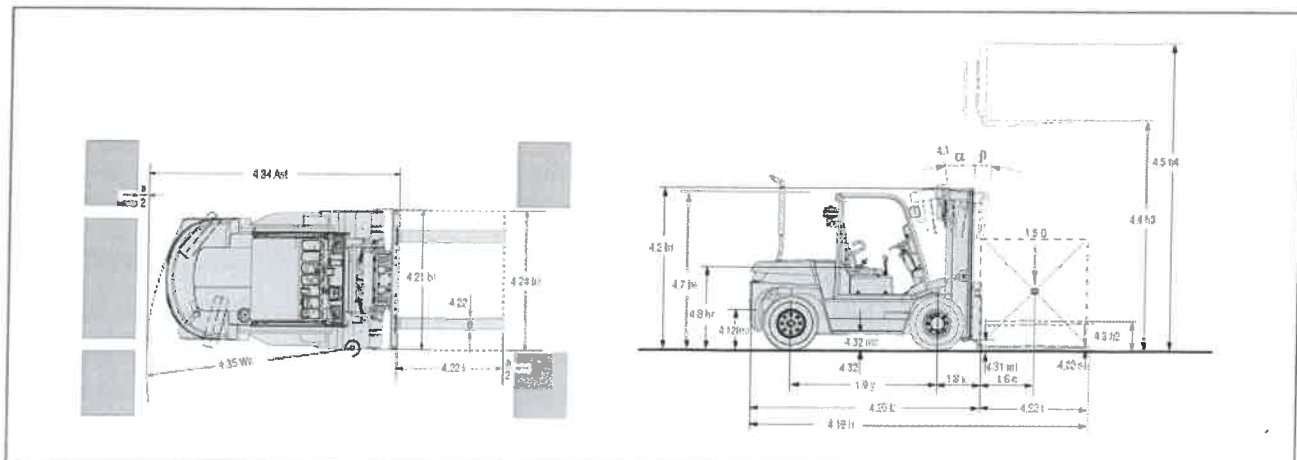
| Specifications | | CLARK | CLARK | CLARK |
|----------------|---|------------------|-----------------|-----------------|
| | | C60D | C70D | C80D |
| 1.1 | Manufacturer (Abbreviation) | | | |
| 1.2 | Manufacturer's designation | | | |
| 1.3 | Drive Unit Diesel, L.P. Gas | Diesel | Diesel | Diesel |
| 1.4 | Operator type stand on / driver seated | Driver Seated | Driver Seated | Driver Seated |
| 1.5 | Load Capacity / rated load | 6000 | 7000 | 8000 |
| 1.6 | Load Center distance | 600 | 600 | 600 |
| 1.8 | Load Center distance, center of drive axle to fork face | 617 | 617 | 617 |
| 1.9 | Wheelbase | 2250 | 2250 | 2500 |
| 2.1 | Service weight | 9260 | 9630 | 10360 |
| 2.2 | Axle loading, laden front / rear | 13296/1964 | 14717/1913 | 15989/2371 |
| 2.3 | Axle loading, unladen front / rear | 4050/5210 | 3931/5699 | 4034/6326 |
| 3.1 | Tire type, P=pneumatic, SE=superelastic, C=cushion 1) | P | P | P |
| 3.2 | Tire size, front | 8.25x15-14PR | 8.25x15-14PR | 8.25x15-18PR |
| 3.3 | Tire size, rear | 8.25x15-14PR | 8.25x15-14PR | 8.25x15-18PR |
| 3.5 | Wheels, number front/rear (x=drive wheels) | 4X/2 | 4X/2 | 4X/2 |
| 3.6 | Tread, front | b10(mm) | 1575 | 1575 |
| 3.7 | Tread, rear | b11(mm) | 1610 | 1610 |
| 4.1 | Tilt of upright/fork carriage, α / β | Grad | 10/15 | 10/15 |
| 4.2 | Height, upright lowered | h1(mm) | 2480 | 2480 |
| 4.3 | Free lift | h2(mm) | 222 | 232 |
| 4.4 | Lift height 2) | h3(mm) | 3000 | 2800 |
| 4.5 | Height upright extended 6) | h4(mm) | 4232 | 4025 |
| 4.7 | Height overheadguard (cab): Std / Container | h6(mm) | 2370 | 2370 |
| 4.8 | Seat height | h7(mm) | 1320 | 1320 |
| 4.19 | Overall length | l1(mm) | 4710 | 4770 |
| 4.20 | Length to face of forks | l2(mm) | 3510 | 3570 |
| 4.21 | Width | b1(mm) | 2125 | 2125 |
| 4.22 | Fork dimensions | s x e x l (mm) | 60 x 150 x 1200 | 60 x 150 x 1200 |
| 4.23 | Fork carriage DIN 15173, A, B | CL/A | CL/A | CL/A |
| 4.24 | Fork carriage width | b2(mm) | 2125 | 2125 |
| 4.31 | Ground clearance minimum | m1(mm) | 200 | 200 |
| 4.32 | Ground clearance center of wheelbase | m2(mm) | 230 | 230 |
| 4.34 | Right angle stack aisle (Add load length and clearance) | Ast(mm) | 5437 | 5487 |
| 4.35 | Outside turning radius | wa(mm) | 3420 | 3450 |
| 5.1 | Travel speed laden/unladen | km/h | 29.3/34.4 | 28.1/33.7 |
| 5.2 | Lift speed laden/unladen | m/s | 0.43/0.45 | 0.42/0.45 |
| 5.3 | Lowering speed laden/unladen | m/s | 0.45/0.43 | 0.45/0.43 |
| 5.6 | Max. drawbar pull laden/unladen 4) | kg | 6397/6173 | 6440/6182 |
| 5.8 | Max. gradeability laden/unladen 4) | % | 43.8/21.2 | 41.6/19.8 |
| 5.10 | Service brake 6) | | Wet disc brake | Wet disc brake |
| 7.1 | Manufacturer/Type | IVECO/N45-MNS | IVECO/N45-MNS | IVECO/N45-MNS |
| 7.2 | Rated output acc. DIN 70020 | kw | 74 | 74 |
| 7.3 | Rated speed acc. DIN 70020 | min-1 | 2300 | 2300 |
| 7.4 | No. of cylinders/displacement | /cm ³ | 4/4500 | 4/4500 |
| 8.1 | Type of control | | Hydrodyn | Hydrodyn |
| 8.2 | Operating pressure for attachments | Bar | 140 | 140 |
| 8.4 | Sound level, driver's ear 5) | dB(A) | 83 | 83 |

* Materials and specifications are subject to change without notice.

1) optional with super-elastic types 2) Further lift heights see upright table 3) Laden with 1.6km/h 4) At friction coefficient $\mu=0.6$

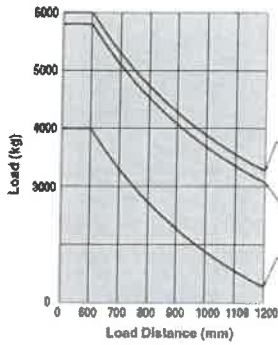
5) Equivalent permanent sound-pressure level $L_{pAeq, T}$ in accordance with DIN EN 12053 (previously DIN 45635-36) 6) Without load backrest

STANDARD DIMENSIONS

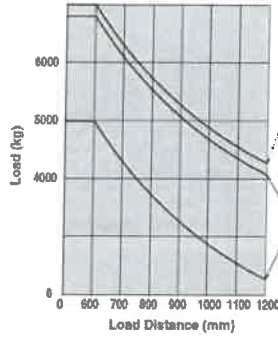


Diesel 6.0/7.0/8.0ton

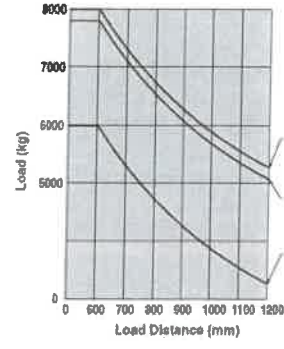
LOAD CAPACITY CHART



C60D



C70D



C80D

MAST SPECIFICATIONS & RATED CAPACITIES

| Mast type | Maximum fork height mm | Mast height | | Free lift | | Tilt angle | | Load capacity at 600mm load center | |
|-----------|---------------------------|---------------|----------------|----------------|-------------------|-------------|-------------|------------------------------------|------------|
| | | lowered mm | extended mm | With LBR mm | Without LBR mm | FWD deg. | BWD deg. | C60D kg | C70D kg |
| 2 stage | 2500 | 2230 | 3732 | 223 | 223 | 15 | 10 | 6000 | 7000 |
| | 2700 | 2330 | 3932 | 223 | 223 | 15 | 10 | 6000 | 7000 |
| | 3000 | 2480 | 4232 | 223 | 223 | 15 | 10 | 6000 | 7000 |
| | 3300 | 2630 | 4532 | 223 | 223 | 15 | 10 | 6000 | 7000 |
| | 3500 | 2730 | 4732 | 223 | 223 | 15 | 10 | 6000 | 7000 |
| | 3700 | 2830 | 4932 | 223 | 223 | 15 | 10 | 6000 | 7000 |
| | 4000 | 2980 | 5232 | 223 | 223 | 10 | 10 | 6000 | 7000 |
| | 4500 | 3230 | 5732 | 223 | 223 | 10 | 10 | 6000 | 7000 |
| | 5000 | 3480 | 6232 | 223 | 223 | 10 | 10 | 5800 | 6800 |
| | 5500 | 3730 | 6732 | 223 | 223 | 10 | 10 | 5300 | 6300 |
| 3 stage | 6000 | 3880 | 7232 | 223 | 223 | 6 | 6 | 4900 | 5900 |
| | 6400 | 4180 | 7632 | 223 | 223 | 6 | 6 | 4800 | 5800 |
| | 3850 | 2315 | 5078 | 2315 | 2315 | 10 | 10 | 6000 | 7000 |
| | 4000 | 2365 | 5228 | 2365 | 2365 | 10 | 10 | 6000 | 7000 |
| | 4500 | 2533 | 5732 | 2533 | 2533 | 10 | 10 | 6000 | 7000 |
| | 4900 | 2667 | 6134 | 2667 | 2667 | 10 | 10 | 5800 | 6800 |
| | 6200 | 3099 | 7430 | 3099 | 3099 | 6 | 6 | 4800 | 5800 |
| | 7000 | 3365 | 8238 | 3365 | 3365 | 6 | 6 | 4000 | 5000 |
| | 8000 | 3887 | 9238 | 3887 | 3887 | 6 | 6 | 3000 | 4000 |

| Mast type | Maximum fork height mm | Mast height | | Free lift | | Tilt angle | | Load capacity at 600mm load center |
|-----------|---------------------------|---------------|----------------|----------------|-------------------|-------------|-------------|------------------------------------|
| | | lowered mm | extended mm | With LBR mm | Without LBR mm | FWD deg. | BWD deg. | C80D kg |
| 2 stage | 2300 | 2230 | 3525 | 223 | 223 | 15 | 10 | 8000 |
| | 2500 | 2330 | 3725 | 223 | 223 | 15 | 10 | 8000 |
| | 2800 | 2480 | 4025 | 223 | 223 | 15 | 10 | 8000 |
| | 3100 | 2630 | 4325 | 223 | 223 | 15 | 10 | 8000 |
| | 3300 | 2730 | 4525 | 223 | 223 | 15 | 10 | 8000 |
| | 3500 | 2830 | 4725 | 223 | 223 | 15 | 10 | 8000 |
| | 3800 | 2980 | 5025 | 223 | 223 | 10 | 10 | 8000 |
| | 4300 | 3230 | 5525 | 223 | 223 | 10 | 10 | 8000 |
| | 4800 | 3480 | 6025 | 223 | 223 | 10 | 10 | 7800 |
| | 5300 | 3730 | 6525 | 223 | 223 | 10 | 10 | 7300 |
| 3 stage | 5800 | 3880 | 7025 | 223 | 223 | 6 | 6 | 6900 |
| | 6200 | 4180 | 7425 | 223 | 223 | 6 | 6 | 6800 |
| | 3650 | 2315 | 4881 | 2315 | 2315 | 10 | 10 | 8000 |
| | 3800 | 2365 | 5031 | 2365 | 2365 | 10 | 10 | 8000 |
| | 4300 | 2533 | 5535 | 2533 | 2533 | 10 | 10 | 8000 |
| | 4700 | 2667 | 5937 | 2667 | 2667 | 10 | 10 | 7800 |
| | 6000 | 3099 | 7233 | 3099 | 3099 | 6 | 6 | 6800 |
| | 6800 | 3365 | 8041 | 3365 | 3365 | 6 | 6 | 6000 |
| | 7800 | 3887 | 9041 | 3887 | 3887 | 6 | 6 | 5000 |

* Materials and specifications are subject to change without notice.



CLARK MATERIAL HANDLING INTERNATIONAL

202-1, Ojung-dong, Ojung-gu, Bucheon city, Gyunggi-do, Korea 421-270
Tel : 82 32 680 6342 Fax : 82 32 680 6359

www.clarkmhc.co.kr

Easy-to-read color TFT LCD display provides not only real time information and error codes for the truck through a CAN bus system but also controls various functions to optimize the truck for the operator's demands.



- ① Fuel level gauge
- ② Date and time display
- ③ Hour meter and speed display
- ④ Engine coolant temperature gauge
- ⑤ Message area and travel direction indicator
- ⑥ Parking brake reminder
- ⑦ Seat belt alert
- ⑧ Fault alert
- ⑨ Mode select and functional switch



Just simply opening the two-pieced rear hood, assisted by a gas spring, allows quick and easy access to engine, transmission, radiator and air cleaner for daily checks and maintenance.

Centralized automobile type fuse and relay box for easy checking and maintenance.

Clark's adjustable full suspension seat lessens the operator's fatigue during long hours of operation.

Spacious operator's compartment provides ample head and leg room for a variety of driver sizes.

38 degree tilting steering column, spacious console, large sized low effort pedals and an automobile type parking brake lever have been taken into consideration for convenience.



Easy and safe entry and exit is available by 2 stage low foot steps.

And various tools can be stored in large tool box.

Fork tips are always detectable due to the lowered cowl.

High located pre-cleaner plus a large capacity air cleaner constantly supply clean air into the engine to maximize efficiency and protect the engine.



Unbeatable mast performance

Clark designed mast rail are nested, interlocked with sealed and canted rollers to minimize deflection.

Shaft-mount carriages have six rail rollers and two side thrust rollers to protect against unbalanced loads.

Hydraulic cushioning valves provides silent staging of the rails during lifting and lowering.

New design 3 stage mast structure with twin primary cylinders located beside each mast rail, instead of at the center, removes an obstruction from the operator's view.

Safety

- Engine automatically shuts down in the case of excessive engine coolant, or transmission oil temperatures, or low engine oil pressure.
- Ignition only in neutral shift position
- Anti restart
- If parking brake not applied after key is off, warning buzzer sounds.
- If the operator leaves the seat, engine automatically will shutdown. (Optional)

CLARK
THE FORKLIFT

CLARK MATERIAL HANDLING INTERNATIONAL

202-1, Ojung-dong, Ojung-gu, Bucheon city, Gyunggi-Do, Korea 421-270

Tel : 82 32 680 6342 Fax : 82 32 680 6359

www.clarkmhc.co.kr

